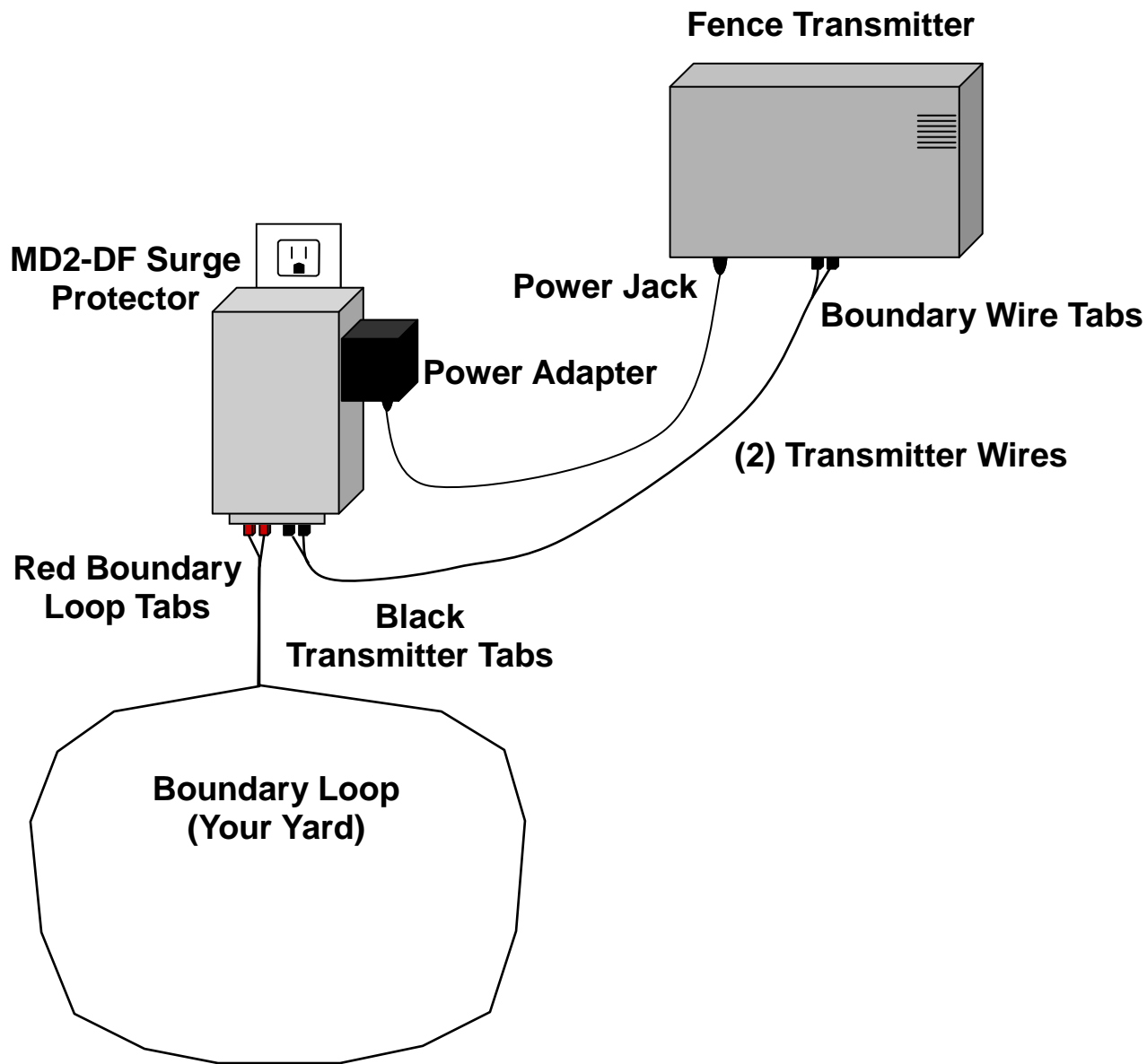


How to Install Your Underground Fence Surge Protector



1. Verify that your underground fence wiring system and all components are fully operational on their own.
2. Plug the MD2-DF Surge Protector into a properly grounded 3-prong outlet
3. Connect the power jack into the fence transmitter and plug the power adapter into the surge protector.
4. Measure out two sections of wire to fit between the transmitter and surge protector.
5. Insert one end of each wire into the Boundary Wire Tabs on the Fence Transmitter.
6. Insert the opposite ends of the Transmitter Wires into the **BLACK** Transmitter Tabs on the surge protector.
7. Take the two ends of the Boundary Loop Wires (from your yard) and insert one into each of the **RED** Boundary Loop Tabs.
8. Verify that the Line Fault indicator is not lit. This means your wiring is properly grounded.
9. Verify that the Power On, Protection On indicator is lit. This means that everything is working OK!