

Surge Protective Device

Technical Documentation



The **PEMCO FAS-31XTP** is a single pair telephone protector that implements an advanced three-stage hybrid design. This unit addresses over-voltage transients with gas discharge tubes (GDT) and silicon breakover devices. Additionally, sneak and fault currents are mitigated with PTC technology, which consists of solid state resettable fuses. FAS-31XTP is specifically designed for more rugged applications such as traffic cabinets.

Key Specs

- **Voltage:** 0-220 VDC
- **Current:** 150mA
- **Connection:** Input: Hardwire or RJ-11, Output: Hardwire or RJ-11
- **Mounting:** Wall Mount

**See Ordering Information for model number selection*

Features

- Three-stage hybrid design
- Rugged gas tube protection
- Sneak/fault current protection
- Fast response time
- 5 year warranty

General Technical Specifications

Operating Voltage	220 VDC
Clamping Voltage	270 VDC
Operating Current	0.15 A
Peak Surge Current	10kA (8 x 20µs)
Frequency Range	0 to 20 MHz
Insertion Loss	< 0.1 dB at 20 MHz
SPD Technology	GDT, SAD, w/ Series PTC
Connection Type	RJ or screw terminal in RJ connector or screw terminal out
Operating Temperature	-40°C to +85°C De-Rate 40% at +85°C
Dimensions (in / mm)	1.0" H x 2.0" W x 2.0" L [25.4 x 50.8 x 50.8 mm]
Weight (oz / kg)	2 oz [0.06 kg]
Warranty	5 years

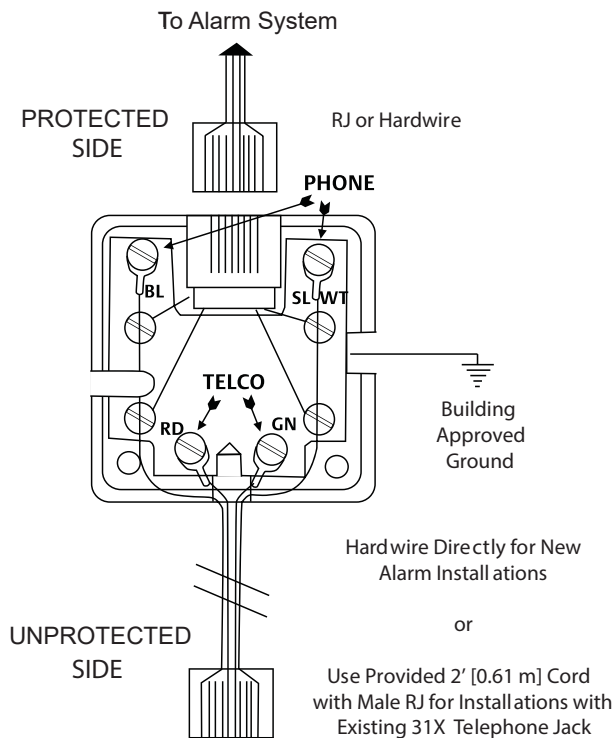
Caution

Do not place this product in service on any signal line capable of supplying more than 150 mA continuously.

DANGER!

Only qualified personnel should install or service this system. Electrical safety precautions must be followed when installing or servicing this equipment. To prevent risk of electrical shock, turn off and lock out all power sources to the unit before making electrical connections or servicing.

Installation Instructions



Ordering Information

MODEL	APPLICATION
FAS-31XTP	Telephone Line Protection For Traffic Cabinets

DPS
 1030 Arlington Avenue North
 St. Petersburg, FL 33705
 Phone: (800) 862-4377
 www.DiversifiedPower.com



While every precaution has been taken to ensure accuracy and completeness herein, DPS assumes no responsibility, and disclaims all liability, for damages resulting from use of this information or for any errors or omissions. Specifications are subject to change without notice.