

## Surge Protective Device

## Technical Documentation



The EXT100M Series is a compact, state of the art high energy surge protection system. Its compact size saves valuable electrical room space. Plus, it can be installed in most retrofit situations.

Available with surge rating of 100kA, the EXT100M is listed to UI 1449 Edition 2.5 and UL 1449 Edition 4. The EXT100M is listed as a TYPE 1 device which means you don't have to worry about where to install it. It can be installed upstream or downstream of the service main disconnect. The EXT100M series is Modular and "Hot Swappable" – the surge modules can be field replaced without removing the suppressor!

Using special technology, the EXT series has lower let through voltages at high surge currents than standard similar devices. In addition its technology prevents premature failure under unusual voltage conditions. Exclusive multipath protection means that redundant surge elements continue to provide protection even should an internal surge element fail.

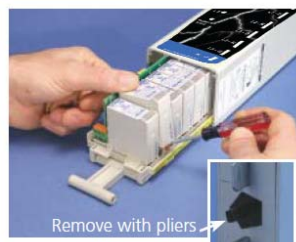
The EXT series includes intelligent indicators for each protection mode. You can confirm total protection with a quick inspection. In addition the 100kA EXT100M series units include dry contacts for optional remote monitoring.

## Features

- Single or Three Phase
- Hot Swappable Field Replaceable Modules
- Compact - installs on any panel
- Intelligent indicators for each protection mode
- High surge capacity
- Internally fused with 200kAIC rating

## Certifications

- UL 1449



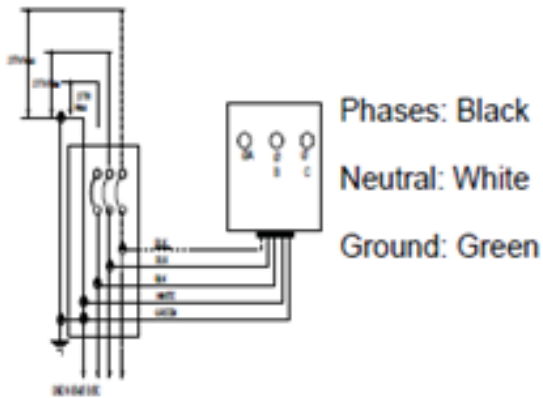
## DANGER!

Only qualified personnel should install or service this system. Electrical safety precautions must be followed when installing or servicing this equipment. To prevent risk of electrical shock, turn off and lock out all power sources to the unit before making electrical connections or servicing.

## Installation Instructions

### DRAWING 1

EXT100M



## Ordering Information

MODEL	VOLTAGE
EXT100M	120/240 1 Phase
EXT100M-120208	120/208Y 3 Phase
EXT100M-120240	120/240 1 Phase
EXT100M-277480	277/480 3 Phase
EXT100M-347600	347/600 3 Phase
EXT100M-120240D	Delta Config 120/240 V
EXT100M-240D	Delta Config 240 VAC
EXT100M-480D	Delta Config 480 V

## Read and Understand These Instructions

### Note:

- The EXT series is listed as a TVSS to UL1449 edition 2.5 and Edition 4. The EXT series is rated as a TYPE 1 device for installation on electric services upstream or downstream of the main. It must be installed per National Electric Code.
- The EXT can be installed on services rated up to 200,000 Amps fault current without external fusing.

Part Number	EXT100M-120208	EXT100M-120240	EXT100M277480	EXT100M347600
Nominal System Voltage (Un)	120/208 V	120/240 V	277/480 V	347/600 V
Distribution System	3Ph 4W+G	1Ph 3W+G	3Ph 4W+G	
Max Continuous Operating Voltage (Uc)	170/276 VAC		320/550 VAC	550/1100 VAC
Stand-off Voltage	240/415 VAC	240/480 VAC	480/831 VAC	790/1370 VAC
Frequency	50 – 60 Hz			
Protection Modes	L-N L-PE N-PE			
Short Circuit Current Rating (SCCR)	200 kA			
Nominal Discharge Current (In)	50 kA 8/20 $\mu$ s		40 kA 8/20 $\mu$ s	
Max Discharge Current (Imax), Per Phase	100 kA 8/20 $\mu$ s			
Impulse Current (Iimp), Per Mode	12.5 kA 10/350 $\mu$ s			
Voltage Protection Rating (VPR), L-L	-			
Voltage Protection Rating (VPR), L-N	600 V @ 3 kA 1,200 V @ 20 kA		1,200 V @ 3 kA 1,800 V @ 20 kA	1,800 V @ 3 kA 2,600 V @ 20 kA
Status Indication	LED Mechanical flag Audible alarm			
Surge Counter	No			

DPS  
1030 Arlington Avenue North  
St. Petersburg, FL 33705  
Phone: (800) 862-4377  
www.DiversifiedPower.com



While every precaution has been taken to ensure accuracy and completeness herein, DPS assumes no responsibility, and disclaims all liability, for damages resulting from use of this information or for any errors or omissions. Specifications are subject to change without notice.

Rev0 06-17