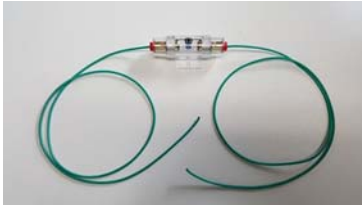


**Surge Protective Device**

**Technical Documentation**



ACCESSORY SOLD SEPARATELY

The BroadBand-Power Bond (BB-PB) is an easy to install bonding device that meets all applicable electric codes. It is used for bonding cable broadband coax to power line ground- where a permanent ground cannot be made due to powerline interference. It is designed to provide a convenient method to bond a broadband cable suppressor to ground. It will work reliably for years.

The BroadBand-Power Bond provides a continuous path to ground during surge events and at the same time prevents powerline noise from entering the broadband data path.

**Features**

- Bonds Broadband surge devices to power ground
- Prevents surge damage
- Blocks powerline noise

**General Technical Specifications**

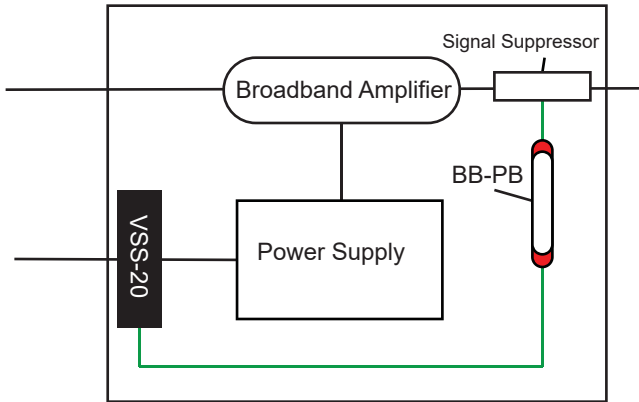
Use	Bond Broadband cable to power supply ground
Voltage	Only connect to ground circuits
Response Time	Less than 5 Nanoseconds
Peak Surge	25,000 A



**DANGER!**

Only qualified personnel should install or service this system. Electrical safety precautions must be followed when installing or servicing this equipment. To prevent risk of electrical shock, turn off and lock out all power sources to the unit before making electrical connections or servicing.

# Installation Instructions



DPS  
1030 Arlington Avenue North  
St. Petersburg, FL 33705  
Phone: (800) 862-4377  
[www.DiversifiedPower.com](http://www.DiversifiedPower.com)



*While every precaution has been taken to ensure accuracy and completeness herein, DPS assumes no responsibility, and disclaims all liability, for damages resulting from use of this information or for any errors or omissions. Specifications are subject to change without notice.*

Rev1 04-17